

alcoSense® elite 3

User Manual

PROBLEM?

We can solve 99% of
issues in a quick call
0800 195 0088 or email
info@alcosense.com



WARNING: AlcoSense is a sensitive measurement device. Performing a breath test less than 10 minutes after drinking risks blowing high levels of alcohol directly from your mouth into the system which could permanently damage the sensor and cause the system to read inaccurately. Blood alcohol levels can continue to rise for up to 90 minutes after drinking, as a result we only recommend using the Breathalyser after this time (and ideally the morning after) to ensure your reading will not increase after you test yourself. Do not blow directly into the blow hole without a blow tube – this can damage the sensor and significantly reduce the lifetime of your unit.

AlcoSense Elite 3 Instruction Manual

Thank you for purchasing your new AlcoSense Elite 3 Breathalyser.

As you know, you never can tell how long it takes for alcohol to clear from your body after having a drink. It depends on many variables including body mass, time of day, food intake and even if you have a cold.

Road safety is our primary concern, specifically making it easy for you to know when you are clear of alcohol. With only one-eighth of the English limit in your system you are 37% more likely to be involved in a fatal accident than when completely sober. AlcoSense gives you the tools to make an informed decision about when the alcohol has cleared your system.

Like me, many responsible drivers use the AlcoSense breathalyser to help make sure they're OK to drive the morning after. Thank you again for purchasing this product and I'm sure you will be delighted with it.

Yours sincerely,



Hunter Abbott, Managing Director

Important - Please read

It is safest to drive when you have no alcohol left in your blood stream. As a result we only recommend driving when the AlcoSense breathalyser reads 'LO'. Before using the AlcoSense breathalyser you agree you have read the operating instructions & are aware of the legal alcohol limit in your jurisdiction. The manufacturer distributors and sellers of this product exclude all liability for improper use or loss or damage caused by actions taken by you after use of this product. Please be aware of the drink drive limit in your jurisdiction.

AlcoSense Elite 3 User Manual Version 1.5

Contents

How Breathalysers Work	4
How Alcohol is Processed by the Body	4
Do's and don'ts: Things That Can Affect the Reading of Your Breathalyser	5
First Time Setup	6
Remove the isolation strip	6
Set the BBR	8
Set the Unit of measure	9
Install the batteries and clean the sensor	10
Set the Drink Drive Alert Level	11
Understanding the Symbols on Screen	13
How to Perform a Breath Test	14
Understanding the Results	16
Memory Recall	18
Maintaining your AlcoSense Breathalyser	19
Recalibration	19
Technical Support	20
Troubleshooting	21
Technical specifications	23
Legal & Warranty	24
Common Drink Drive Limits and Blood Breath Ratios	26
Contact us	Back cover

How Breathalysers Work

Breathalysers work by measuring the concentration of alcohol vapour in your breath. Contrary to popular belief the alcohol is not coming from residue in your mouth but is actually evaporating from the blood that passes through your lungs when you breathe. The amount of alcohol evaporating from your lungs is directly proportional to the amount of alcohol in your blood stream making it possible to accurately calculate the per mil Blood Alcohol Concentration (%BAC) or Milligrams of alcohol per Litre of Breath (mg/l) and therefore your level of intoxication.

How Alcohol Is Processed by the Body

When you drink, alcohol is absorbed into the blood stream through your mouth and throat but mostly through the stomach and small intestine. The more you drink the more alcohol is absorbed by the body and the higher your BAC or mg/l reading will become. Between 20 and 90 minutes after the alcohol is consumed it is distributed equally around the body through the blood stream. This is known as the Point of Equilibrium.

As blood flows round the body around 90% of the alcohol it contains is broken down in to water and carbon dioxide by the liver in a process called Oxidation. The remaining 10% of the alcohol is passed from the body through the lungs and kidneys. A healthy liver typically breaks down alcohol at a rate of one unit of alcohol per hour but the more alcohol that is consumed the longer it can take for the liver to process each unit.

When you stop drinking your level of intoxication may stay constant or if you have been drinking heavily it could even increase for around 90 minutes afterwards. This is because of the time it takes for alcohol to reach the bloodstream from the time you actually had the drink. If you have eaten food this can also increase the time, as the release of alcohol into the bloodstream can be slowed by it being absorbed by food in the stomach. This is the reason why we do not recommend using the breathalyser just after finishing drinking because there are too many factors that can influence the reading. The ideal time is the morning after.

Do's and don't's: Things That Can Affect the Reading of Your Breathalyser

There are some factors that can affect the reading of breathalysers whether it be the AlcoSense breathalyser or a police system. Please note that certain medications and conditions including diabetes can give false positive readings. If you find you have a positive reading when you have not drunk alcohol please contact us for assistance.

Do:

- Use the breathalyser the morning after a few drinks.
- Read the instructions carefully.
- Phone us if you have any difficulties.
- Only drive when the AlcoSense says LO and you feel 100%. Any amount of alcohol in your system will affect your ability to drive.
- Leave a minimum of 5 minutes between tests. Do not perform more than 5 tests in one hour and no more than 20 tests in 24 hours. More frequent testing can cause a build-up of breath condensation or alcohol vapour in the breathalyser which can temporarily affect accuracy.

Don't:

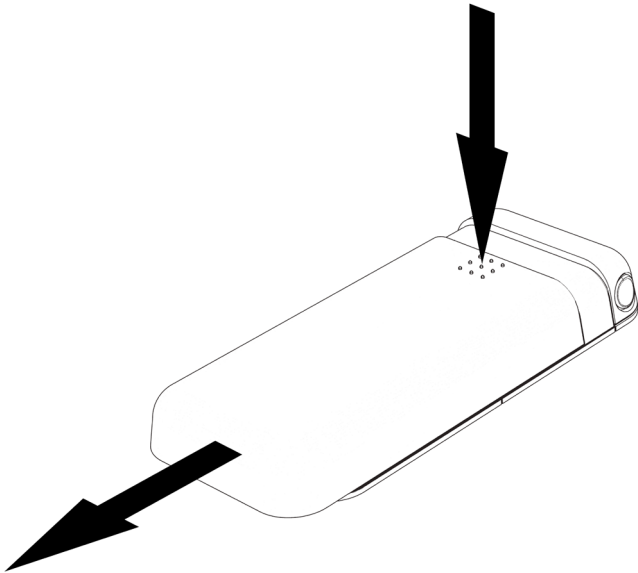
- Blow into the breathalyser within 10 minutes of drinking, high levels of alcohol in the mouth can permanently damage the sensor.
- Perform a breath test within 90 minutes of drinking. Blood alcohol levels can rise for up to 90 minutes after drinking (see page 3 for more info). Results taken before this time can rise or fall quickly.
- Use the breathalyser for at least 30 minutes after using mouthwash, breath spray, cough medicine or anything else that may contain alcohol - you may get a false positive reading.
- Use the breathalyser for at least 30 minutes after having a cigarette or eating ripe fruit - you may get a false positive reading.
- Perform a test in dirty air, i.e. a smoky room or pub.
- Use the breathalyser if you are breathing quickly (for example, after running up the stairs) or have been holding your breath. This can falsely lower or raise the reading respectively. Wait until you are breathing normally again.
- Perform two tests sequentially, you may get a variation between readings. This is because it can take a few minutes for the alcohol concentration inside the lungs to stabilise again after the first test, or residual alcohol vapour in the breathalyser may affect the accuracy of the second reading.

First Time Setup

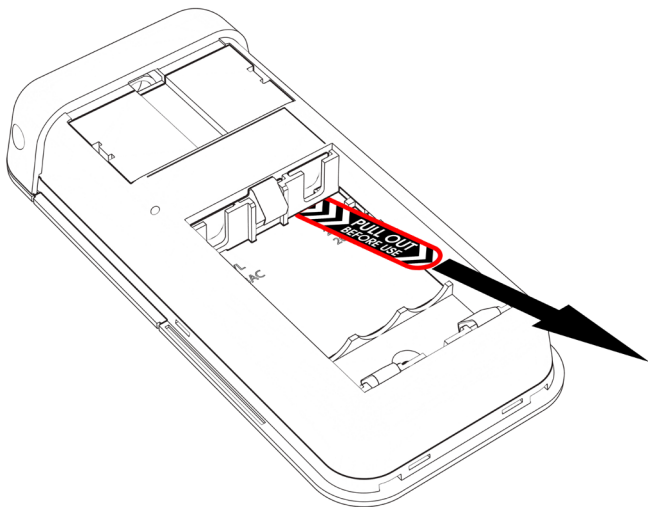
1. Remove the isolation strip
2. Set the BBR
3. Set the Unit of measure
4. Install batteries and clean the sensor
5. Set the Drink Drive Alert Level

1. Remove the isolation strip

- a. Open the battery compartment



- b. Pull out the isolation strip marked "PULL OUT BEFORE USE", highlighted in red below.

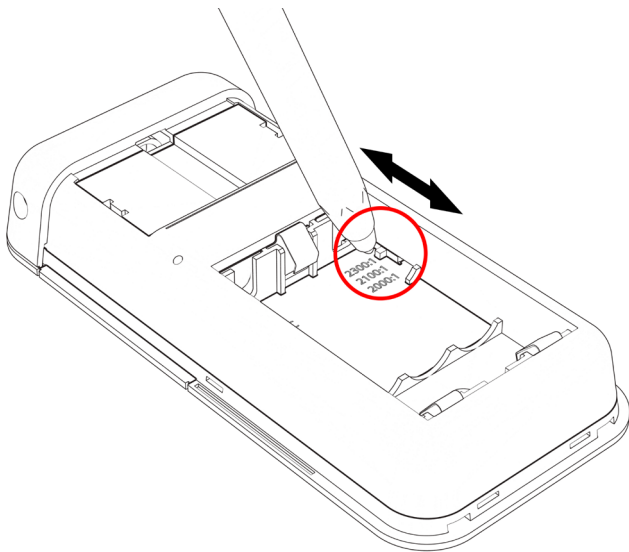


Continue overleaf to next step...

2. Set the BBR

If you are staying in the UK or Ireland you do NOT have to change this setting and can leave it on the default setting.

- a. The BBR (Blood Breath Ratio) must be set for your country of use. Please see the table on the inside back cover to find your setting; the UK and Ireland is 2300:1.
- b. There is a small slide switch inside the top right-hand corner of the battery compartment, circled red below. Using a pen or other thin object, slide the switch to correspond with the BBR value for your country of use as found in the inside back cover of this manual. If you have any difficulties, feel free to call us.

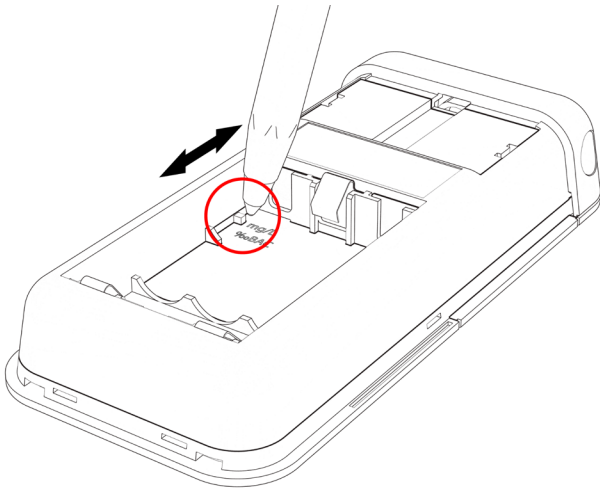


3. Set the Unit of measure

By default the product is set to ‰BAC (promile blood alcohol content), you do not need to change this setting unless you have a specific need to.

There are two units of measure commonly in use in the UK and Ireland; mg/L (milligrams of alcohol per litre of breath) which is a breath alcohol measurement and ‰BAC (promile blood alcohol content) which is a blood alcohol measurement.

- a. There is a small slide switch inside the top left-hand corner of the battery compartment which sets the unit of measure. Using a pen or other thin object, slide the switch to correspond with your chosen unit of measure. Unless you have a specific reason not to, we recommend setting the unit of measure to ‰BAC.



Continue overleaf to next step...

4. Install the batteries and clean the sensor

- a. Insert the three AAA batteries included in the box in the back of the unit and turn the unit on, by pressing and holding the power key. If does not power up please check that all three batteries have been inserted the correct way round.
- b. The breathalyser will now perform a self-clean process which lasts between 1 and 2 minutes. Do not touch any buttons during this time as it will stop the process. If you need to restart it, remove the batteries, wait 10 seconds and insert them again.
- c. When the cleaning process is finished you can then set the drink drive alert level. Please note that the first test performed after a clean may give a slightly higher result or show a small amount of alcohol present when there is none due to vapour released during cleaning. After an hour this will clear.

IMPORTANT: When replacing the batteries only use new, good quality branded batteries. Never use batteries previously used elsewhere or a mixture of new and used batteries. Although the battery voltage indicator may show OK, under load the battery power may collapse causing inaccurate readings.


Continue overleaf to next step...

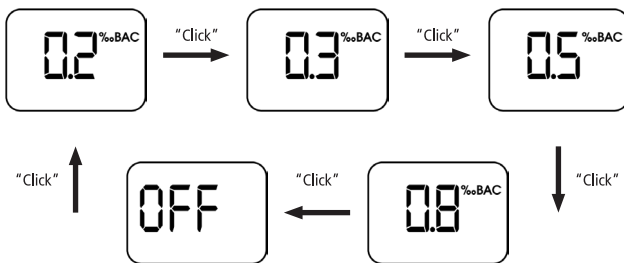
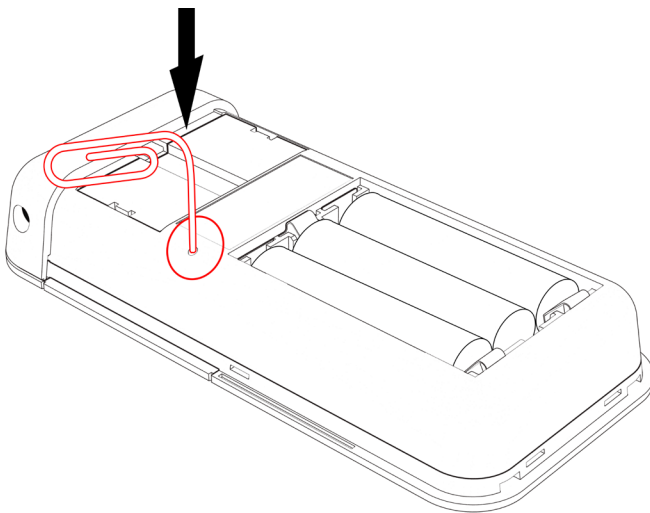
5. Set the Drink Drive Alert Level

With only 0.1‰BAC in your system you are 37% more likely to be involved in a fatal accident than when sober. As a result, do not drive with any alcohol in your system.

- a. Please go back to the table in the inside back cover and find the relevant drink drive limit for your country of use.

Ireland: professional, learner, novice drivers	0.2 ‰BAC
Ireland: normal drivers	0.5 ‰BAC
Scotland	0.5 ‰BAC
Rest of the UK	0.8 ‰BAC

- b. Remove the battery cover.
- c. Find a paperclip and bend one end of the paperclip out so you have a thin rod. If you do not have a paperclip another thin object will work. 
- d. Turn the breathalyser on by pressing and holding the power key.
- e. **Referring to the diagram on the next page**, insert the paperclip in the hole marked "Set Limit" on the left-hand rear of the breathalyser. You will feel it make contact with a button.
- f. Click the button in the hole to change the drink drive alert level. Each time you click it, the drink drive limit will be shown on the screen and rotate through the options below. If set to OFF, the unit will display readings but will not display a don't drive alert. To set the alert level click through the options until the right one is displayed on the screen and then stop clicking. This will then be saved.



Initial setup is now complete.

Understanding the Symbols on Screen

Symbol

Description

%BAC
mg/L

This is the unit of measure that the breathalyser is set to. Only one will be displayed at any point in time.



Please wait, the breathalyser is warming up or cleaning the sensor.



When this symbol flashes the unit is ready to perform a breath test. Please blow into the breathalyser.



Please wait, sensor cleaning is in progress.



DO NOT DRIVE. You are close to or over your set drink drive limit. Please note: the don't drive symbol will be displayed from 20% under your set limit.

RECALIBRATE

The breathalyser requires recalibration. Please see the recalibration section of the manual.



This is displayed when you are reviewing the previous test results in the memory. The number to the right shows which test number you are looking at.

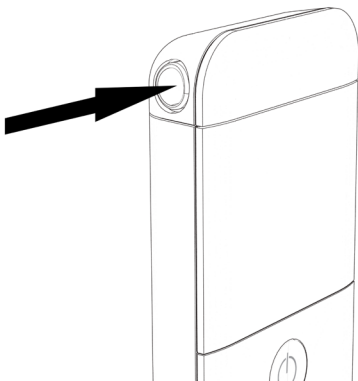


Shows the battery level. Replace the batteries with new good quality batteries when one bar is remaining.

How to Perform a Breath Test

AlcoSense is a sensitive measurement device. Performing a breath test less than 10 minutes after drinking risks blowing high levels of alcohol directly from your mouth into the system causing permanent damage to the sensor and causing the system to read inaccurately. Blood alcohol levels can rise for up to 90 minutes after drinking, for best results only use after this period and ideally the morning after. Do not blow directly into the blow hole without a blow tube – this can damage the sensor and significantly reduce the lifetime of your unit.

1. Insert a new blow tube in the hole on the left side of the breathalyser, shown in the diagram below.
Re-using blow tubes can decrease the accuracy of your readings and unhygienic. Do not use drinking straws or similar as the diameter may be different giving a bad fit, or split causing air to escape and reducing the accuracy of your readings. Replacement tubes are inexpensive can be purchased from alcosense.co.uk or an AlcoSense retailer.

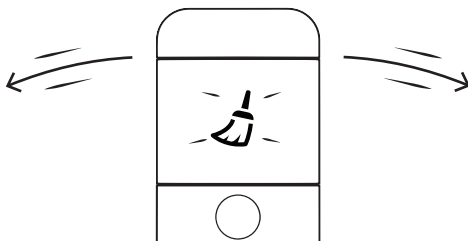


2. Turn the unit on by pressing and holding the power key. The unit will display the number of days left until recalibration is due, then it will display the "Wait" symbol while the sensor is heated to operating temperature.
If the countdown pauses on the number 3 or goes back up to 10 and counts down again, do not worry; the sensor just requires a little longer to heat up.
3. The AlcoSense will then beep and the "blow" symbol will flash on the screen. Blow into the breathalyser **using a pressure similar to a sigh and keep blowing until it stops beeping (around 6-7 seconds).**
4. Your result will be displayed. If you see FLO or ERR on the screen please see the table on the "Understanding the Results" page.

After the test

To maximise the life of the sensor, after a positive test the breathalyser will perform a self-clean process to remove residual alcohol vapour from the sensor and you will see the clean icon on screen.



To assist the cleaning process, while the cleaning symbol is on the screen pass fresh air through the blow hole by moving the breathalyser from side to side through the air in long steady sweeps for 10 seconds.



Please note: Leave a minimum of 5 minutes between tests. Do not perform more than 5 tests in one hour and no more than 20 tests in 24 hours. More frequent testing can cause a build-up of breath condensation or alcohol vapour in the breathalyser which can temporarily affect accuracy. If you perform two tests sequentially, you may get a variation between readings for the above reasons and that it can take a few minutes for the alcohol concentration inside the lungs to stabilise again after the first test.

The AlcoSense Elite 3 is accurate to $-0.10\%_{\text{BAC}}$, $+0.20\%_{\text{BAC}}$. This means that taking into account all variables the reading shown could be $0.10\%_{\text{BAC}}$ lower, or $0.2\%_{\text{BAC}}$ higher than the actual reading. For example, if you see $0.6\%_{\text{BAC}}$ there is a possibility that you might have a true reading of $0.7\%_{\text{BAC}}$. As a result, always add $0.2\%_{\text{BAC}}$ to the reading you see on screen to be safe and only ever drive when you are clear of alcohol and feel 100%. If you require greater accuracy, please consider one of our models higher up the range.

Understanding the Results

Description	Screen	Explanation
LO Less than $0.1\%_{\text{BAC}}$		Zero or Trace Alcohol There is either no alcohol in the sample or such a small amount it is negligible. The reading is well below the legal drink drive limit.
Alcohol present, but under the limit you set		DO NOT DRIVE. You are below the limit you set in the breathalyser but you have alcohol in your system. Your reading is displayed on the screen.

Understanding the Results (continued from previous page)

Close to or above the limit set in the breathalyser



DO NOT DRIVE. You are close to or over the drink drive limit you set in the breathalyser. Note, the unit will display the don't drive symbol from 20% below your chosen limit.

Above 2.0%BAC



DO NOT DRIVE. The sample's alcohol level is above 2.0%BAC and is outside the reading range of this device.

Breath flow error



1) Either the pressure you blew at was too variable, too little, or you did not blow for long enough. Take a deep breath before blowing and blow out at a consistent pressure like you're taking a sigh until it stops beeping (6-7 seconds).

2) If the breathalyser starts a test cycle without blowing into it and displays a flow error please see the trouble shooting section.

3) If you have tried the above and still experience problems please contact us.

Error in Reading



Either the breathalyser did not detect your breath as the pressure was too low, or you did not blow into the breathalyser within 10 seconds of it starting to say blow on the screen. If you still experience problems after several attempts please contact us.

Memory Recall

The AlcoSense Elite 3 will store the previous 9 results in the unit's memory. When you receive your breathalyser there may be some results in the memory already which have been stored during accuracy testing of the device prior to delivery.

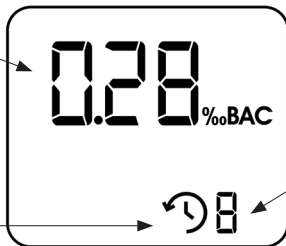
To use the memory recall feature, press and hold the memory recall button on the front of the breathalyser. The button has the symbol to the right printed on it.



The screen will then change to look like the example below. To scroll through the previous results, click the memory recall button again.

The result recalled from memory

The symbol showing you are in memory recall mode



The number of the test recalled

Each time you click the button the next previous result will be displayed on a loop. When the memory is full the oldest result will be deleted to make space for the newest result.

To exit the memory recall function, click the power button.

Maintaining your AlcoSense Breathalyser

Recalibration

Like any breathalyser, whether for Police use or otherwise, your AlcoSense will require re-calibration after a period of use. We recommend your AlcoSense breathalyser should be re-calibrated once a year or every 300 tests, whichever comes first. If you do not have your breathalyser calibrated within these schedules it may read inaccurately.

When you turn your breathalyser on it will display how many days it has left until calibration is due. If you have reached 300 tests before the end of 12 months the unit will display "RECALIBRATE" on the screen.

Your Elite 3 can be recalibrated by AlcoSense or you can purchase a replacement sensor module from www.alcosense.co.uk which you can change yourself at home, instructions on how to do this are provided with the sensor module. If you send your item in for recalibration it is a chargeable service, but necessary to maintain the accuracy of your breathalyser.

When RECALIBRATION appears, go to the calibration section of www.alcosense.co.uk to arrange your calibration or call us.

Keep it Clean

To keep your AlcoSense in tip top condition we recommend keeping it clean using a soft dry cloth. We recommend keeping your unit safe using the AlcoSense carry case which is sold separately from alcosense.co.uk and AlcoSense retailers.

Clean the Sensor Every 4-6 Weeks

We recommend performing a sensor clean once every 4–6 weeks, or if the breathalyser has not been used for a period of time. To clean the sensor remove the batteries then re-insert them. "Clean" will flash on the screen and it will count down the remaining seconds.

This process increases the accuracy of your breathalyser by removing any oxidation or contaminants which could build up on the sensor. Please note that the first test performed after a clean may give a slightly higher result or show a small amount of alcohol present when there is none due to vapour released during cleaning. The cleaning process uses a significant amount of power from the batteries. If you clean the sensor several times in a row you can exhaust your batteries. If you have recently performed a clean and wish to skip the process when replacing the batteries this can be done so by double clicking the power button.

Be Careful

Take care not to drop the AlcoSense breathalyser as sudden knocks can affect the unit's accuracy. If you have dropped your AlcoSense and feel that it is not reading correctly please contact us to arrange to have the unit serviced. A protective carry case is sold separately at alcosense.co.uk.

Technical Support

If you experience any difficulties please check the troubleshooting section of this manual. If you queries which are not covered in this manual or need assistance using your unit please call our technical support number Monday to Friday 9am to 5.30pm. When calling please make sure you have your breathalyser to hand.

Accessory	Description	Price*
Protective Carry Case	Keep your AlcoSense breathalyser safe and sound in this beautiful carry case	£12.99
Pack of 20 Spare blow tubes	Pack of 20 blow tubes for breath tests	£4.99

*Subject to change and may vary by retailer

Troubleshooting

If you have any queries which are not covered in this manual or need assistance using your unit please call our technical support number Monday to Friday 9am to 5.30pm. When calling please make sure you have your breathalyser to hand.

I have got a positive reading but I haven't drunk any alcohol.

This can occur for the first couple of hours after you clean the sensor (either during the initial setup or later on); if this happens please leave the unit to stand for a couple of hours and try again. If this continues to happen it could be caused by testing within 10 minutes of eating some strong foods, using dental products, chewing gum or smoking. On some occasions it can also be caused by the body releasing acetone/ketones released during the metabolism of acetoacetic acid. This can be increased with the use of some prescribed medications or certain medical conditions, most commonly diabetes. A healthy body can also create these substances occasionally; it is more likely if you are on a low carbohydrate diet such as the Atkins diet or similar. If you suffer from any of the above medical conditions you may wish to consider one of our Fuel Cell breathalysers which will work for you without issue. If none of the above apply to you please call us and we will go through some diagnostics on the phone to solve the issue.

I'm doing a breath test and it says FLO or ERR.

Please see the section titled "Understanding the Results". If you continue to experience problems please call us.

"RECALIBRATE" is shown on screen

Please see the section of the manual on recalibration. If you believe the recalibration alert has been shown prematurely please call us.

I've done two breath tests and got different results.

This is expected. The first test is the most accurate, if you perform a second test within a few minutes of the first test the breath alcohol levels in your lungs may not have stabilised after the first test, causing the second test to give you a different reading. If you have recently drunk alcohol, your blood alcohol level can also change quickly over the course of a few minutes. This is why you should only use the breathalyser 90 minutes after drinking or ideally, the morning after. If you test two different breathalysers back to back you will also expect slightly different readings for the same reason. This is why you cannot use one breathalyser to test the accuracy of another, it can only be done using Breath Alcohol Simulators. This is why UK law allows for up to 15% difference on sequential test results taken by the Police.

I've done a lot of tests in quick succession and I've got a strange result

This can be caused by a build-up of breath condensation or alcohol vapour from previous tests in the breathalyser which sometimes cause temporary inaccuracy until it evaporates, this can affect any breathalyser, including Police breathalysers. To avoid this leave a minimum of 5 minutes between tests and do not perform more than 5 tests in one hour, and no more than 20 tests in 24 hours. Always use a new mouthpiece for each test. If you do experience this problem, the condensation should evaporate within 2 hours at normal room temperature and the breathalyser will return to normal operation.

My breathalyser started to do a test by itself and displayed an error

This can happen if the breathalyser is used in a noisy environment over 95dBA. When turned on and ready to receive a blow sample pressure changes as a result of loud noises can occasionally cause the unit to think breath is entering the device, and then show a blow error. If this occurs please move to a quieter area away from the source of the sound and attempt the test again.

If this happens when you are not in a noisy environment you will need to adjust the sensitivity of the pressure sensor. To do this remove one of the batteries from the device, then press and hold the power button and drink drive limit adjustment button at the same time, and reinsert the battery. When it powers up release the buttons. You will see the number 10 on the screen. Click the power button to change the number, when it reaches 15 it will go back to 5 and count back up again with each click.

The sensitivity can be adjusted between 5 and 15; 5 being the most sensitive, 15 the least sensitive. Click the power button until you have your desired setting on the screen. To save the setting, leave the number on screen, then stop, after a few seconds "SV" will be displayed on screen showing it has been saved. If you require any assistance with this please call us and we will be happy to help.

Any other issues

Please check the www.alcosense.co.uk support section for more troubleshooting advice. If you still experience problems after this point please contact us, our contact details are displayed on the back page of the manual.

Technical specifications

Specifications	Limit
Reading Range	0.0‰BAC to 2.0‰BAC, results below 0.1‰BAC will display as "LO"
Accuracy	+/-0.20‰BAC
Operating Temperature	5°C to 40°C
Storage Temperatures	-10°C to 50°C
Storage conditions	Store in a cool dry place out of direct sunlight
Calibration Intervals	12 months or 300 tests, whichever comes first
Sensor	Premium Semi-Conductor

Note on Environmental Protection

After implementation of the European Directive 2002/96/EU in the national legal system, the following applies: Electrical and electronic devices may not be disposed of with domestic waste. Consumers are obliged by law to return electrical and electronic devices at the end of their service lives to the public collecting points set up for the purpose or point of sale. Details to this are defined by the national law of the respective country. This symbol of the product, packaging or instruction manual indicates that this product is subject to these regulations. By Recycling, re-using the materials or other forms of utilising old devices, you are making an important contribution to protecting our environment.

Although every effort has been made to ensure that the contents of this manual are accurate and reliable Now Group UK Ltd accept no liability for errors or omissions and we reserve the right to change information without notice.



AlcoSense limited warranty

WARRANTOR

This Limited Warranty is granted by and this Limitation of Liability is stipulated for the benefit of AlcoSense, a trade mark of Now Group UK Ltd, at the address displayed on www.alcosense.co.uk

WHAT THIS WARRANTY COVERS

1) Now Group UK Ltd. ("AlcoSense") warrants to you that the Hardware will be free from defects in workmanship and materials under normal use ("Defects") for a period of one (1) year (unless the country of purchase requires a longer period under local legislation) from the date that the Hardware was first purchased by you from an authorised AlcoSense dealer ("Warranty Period"). During the Warranty Period the Hardware will be repaired or replaced at AlcoSense's choice ("Limited Warranty") without charge to you for either parts or labour. This Limited Warranty covers the replacement of the Hardware only. If the Hardware is repaired after the Warranty Period has expired (at your cost), the Warranty Period for the repair will expire six (6) months after the date of repair.

WHAT THIS WARRANTY DOES NOT COVER

2) The Limited Warranty does not apply to normal wear and tear, does not apply when the Hardware is opened or repaired by someone not authorised by AlcoSense and does not cover repair or replacement of any Hardware or part thereof damaged by: misuse, moisture, liquids, proximity or exposure to heat and accident, abuse, non-compliance with the instructions supplied with the Hardware, neglect or misapplication. The Limited Warranty does not cover physical damage to the surface of the Hardware or calibration of the Hardware.

HOW TO MAKE A WARRANTY CLAIM

3) In order to make a claim of a Defect, you must contact AlcoSense by email or telephone during the Warranty Period via www.AlcoSense.com to explain the Defect and to obtain an RMA number (Return Materials Authorisation) if necessary. You must return the Hardware during the Warranty Period, along with an explanation of the Defect, to the address provided to you by AlcoSense. If a defect arises and a valid claim under this Limited Warranty is received by AlcoSense after the first one hundred and eighty (180) days of the Warranty Period, AlcoSense is entitled to charge you for any reasonable shipping and handling costs made in connection with the repair or replacement of the Hardware. You must comply with any other return procedures stipulated by AlcoSense, if any.

YOUR LEGAL RIGHTS

- 4) Some countries may not allow the exclusion or limitation of damages. If any part of this Limited Warranty is held to be invalid or unenforceable, the remainder of the Limited Warranty shall nonetheless remain in full force and effect.
- 5) This Limited Warranty is the only express warranty made to you and is provided in lieu of any other express warranties or similar obligations (if any) created by any advertising, documentation, packaging, or other communications.
- 6) Except for the Limited Warranty and to the maximum extent permitted by applicable law, AlcoSense and its suppliers provide the Hardware "AS IS AND WITH ALL FAULTS", and hereby disclaim all other warranties and conditions, whether express, implied or statutory, including, but not limited to, any (if any) implied warranties, duties or conditions of satisfactory quality, of fitness for a particular purpose, of reliability or availability, of accuracy or completeness of responses, of results, of workmanlike effort, of lack of viruses, and of reasonable care and skill, all with regard to the Hardware, and the provision of or failure to provide support or other services, information, software, and related content through the Hardware or otherwise arising out of the use of the Hardware. Also, there is no warranty or condition of quiet enjoyment, quiet possession, or non-infringement with regard to the Hardware. This exclusion does not apply to (i) any implied condition as to title and (ii) any implied warranty as to conformity with description.
- 7) This Limited Warranty does not affect any legal rights under applicable national legislation governing the sale of consumer goods.
- 8) This Limited Warranty cannot be transferred to any other person.

LIMITATION OF LIABILITY

- 1) Neither Now Group UK Ltd nor its suppliers shall be liable to you or to any third party for any damages either direct, indirect, incidental, consequential or otherwise (including in each case, but not limited to, damages for the inability to use the equipment, loss of business, loss of profits, business interruption or the like) arising out of the use of or inability to use the Hardware even if Now Group UK Ltd has been advised of the possibility of such damages.
- 2) Notwithstanding any damages that you might incur for any reason whatsoever (including, without limitation, all damages referenced herein and all direct or general damages in contract or anything else), the entire liability of Now Group UK Ltd and any of its suppliers shall be limited to the amount actually paid by you for the Hardware.
- 3) Now Group UK Ltd shall not be liable for (i) any fraud on the part of its employees and/or agents; or (ii) any fraudulent misrepresentation on the part of its employees and/or agents.
- 4) Notwithstanding the above, neither party's liability for death or personal injury resulting from its own negligence shall be limited.
- 5) If any of these terms shall become or be declared illegal, invalid or unenforceable for any reason whatsoever such term shall be divisible from these terms and shall be deemed to be deleted from them.

Common Drink Drive Limits and Blood Breath Ratios

Please note: This breathalyser converts your breath alcohol reading to a blood alcohol %BAC reading using the Blood Breath Ratios (BBR). Different countries use different BBR values to convert the reading which means the %BAC reading in one country may not be the same as another country. **You MUST set your breathalyser to the correct BBR for your country of use (see page 6); not doing so may cause your unit to read inaccurately.**

Country	Blood Breath Ratio (BBR)	Breath Alcohol	Blood Alcohol
		mg/L Limit*	%BAC Limit*
Australia	2100:1	0.24	0.50
Australia (Prof. Drivers)	2100:1	0.10	0.20
Austria	2100:1	0.24	0.50
Belgium	2100:1	0.24	0.50
Canada	2100:1	0.24	0.50
Cyprus	2100:1	0.09	0.20
Czech Republic	2100:1	0.00	0.00
Denmark	2000:1	0.25	0.50
Finland	2000:1	0.25	0.50
France (New, young and professional drivers)**	2000:1	0.10	0.20
France (Normal Limit)**	2000:1	0.25	0.50
Germany (Lower Limit)	2100:1	0.00	0.00
Germany (Normal Limit)	2100:1	0.24	0.50
Holland (Lower Limit)	2100:1	0.09	0.20
Holland (Normal Limit)	2100:1	0.24	0.50
Hungary	2100:1	0.00	0.00
Iceland	2100:1	0.14	0.30
Ireland (RoI) (Normal Limit)	2300:1	0.22	0.50

Country	Blood Breath Ratio (BBR)	Breath Alcohol	Blood Alcohol
		mg/L Limit*	‰BAC Limit*
Ireland (RoI) (New, young and professional drivers)	2300:1	0.09	0.20
Italy (Lower Limit)	2100:1	0.00	0.00
Italy (Normal Limit)	2100:1	0.24	0.50
Luxembourg (Lower Limit)	2100:1	0.09	0.20
Luxembourg (Normal Limit)	2100:1	0.24	0.50
Malta	2300:1	0.35	0.80
New Zealand	2100:1	0.24	0.50
New Zealand (Under 20)	2100:1	0.00	0.00
Norway	2000:1	0.09	0.20
Poland	2100:1	0.09	0.20
Russia	2100:1	0.00	0.00
Slovakia	2100:1	0.00	0.00
Spain (Lower Limit)	2000:1	0.15	0.30
Spain (Normal Limit)	2000:1	0.25	0.50
Sweden	2000:1	0.10	0.20
Switzerland (Lower Limit)	2100:1	0.00	0.00
Switzerland (Normal Limit)	2100:1	0.24	0.50
Turkey	2100:1	0.24	0.50
UAE	2300:1	0.00	0.00
UK (England & Wales)	2300:1	0.35	0.80
UK (Northern Ireland)	2300:1	0.35	0.80
UK (Scotland)	2300:1	0.22	0.50
USA (varies by state)	2100:1	0.24-0.38	0.50-0.80

*Limits correct as of May 2019, errors and omissions excluded. Always check the limit with the local road authority in the region before driving. Northern Ireland has proposals to reduce their limit, please check with local road authorities before driving. **The AlcoSense Elite 3 cannot be used to comply with French law.



Register Now to Upgrade from 1 to 3 Year Warranty!

Just go to www.alcosense.co.uk/reg **within 30 days of purchase** to register and extend your warranty for free from 1 to 3 years. To maintain the warranty you must keep your breathalyser calibrated within its service schedule. Terms and conditions apply.

AlcoSense Laboratories

Part of Now Group UK Ltd

UK: 0800 195 0088

Ireland: 1800 719310

Poland: 22 26 39 345

International calls: +44 1628 778885

info@alcosense.com

www.alcosense.com

© Now Group UK Ltd 2019. This product, packaging and manual includes the registered and unregistered intellectual property of Now Group UK Ltd. www.alcosense.co.uk/ip

